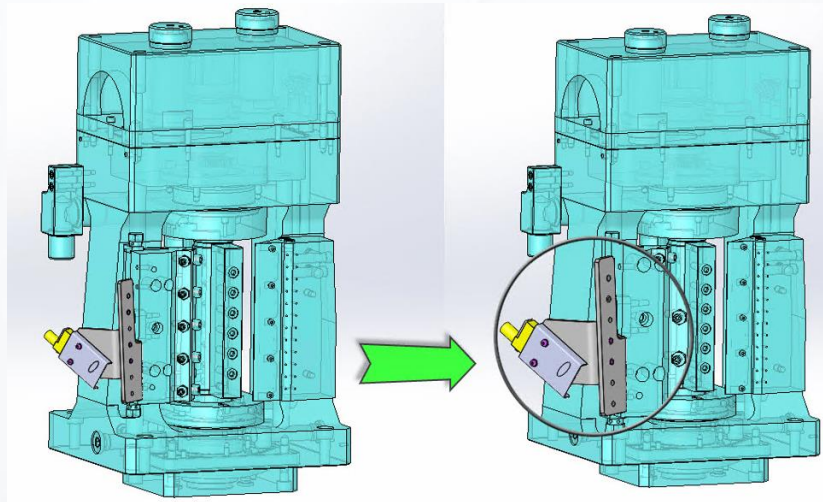


# No more labels jam on transfer drum

## Label detection system

### VALUE AND BENEFITS

- No more label jam on the vacuum transfer drum = no downtime to restore standard working conditions
- Immediate restart after labels issue



Value: Efficiency, Product quality  
Equipment: Rollquattro  
Catalogue code: AA05

### DESCRIPTION

- A photocell is installed on the Cutting roller to detect any label remained on the transfer drum
- Once the anomaly is detected, a signal is sent to the machine plc to stop the the labelling process (avoiding a label jam)

