

Easy Settings, Highest Reliability, Simplified Maintenance

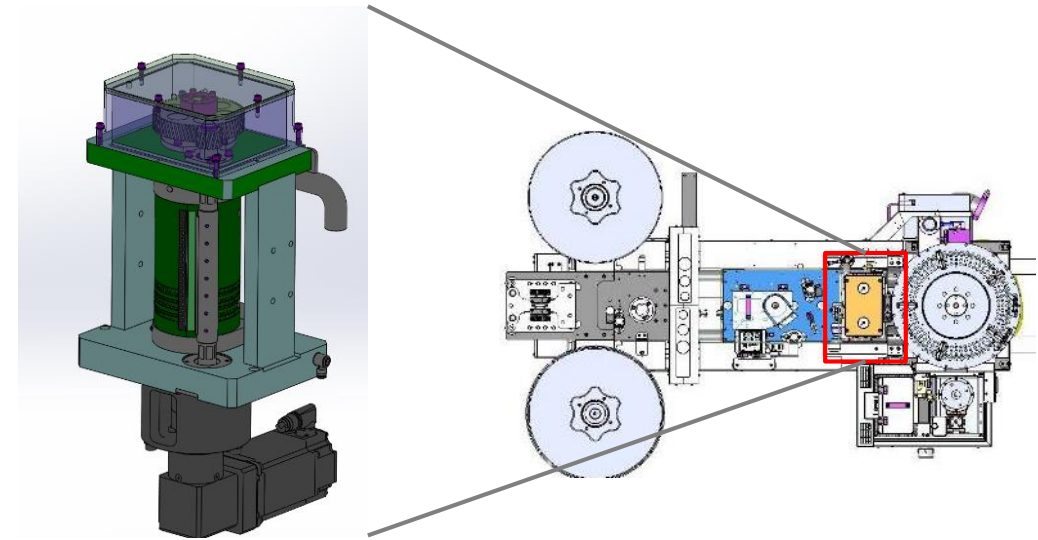
AA031 – Cutting Unit 2.0

VALUE AND BENEFITS

- **RELIABILITY**
Cutting system without contact, very low components wearing
- **PERFORMANCE**
Very high working tolerance range, maintenance not needed
- **TROUBLE SHOOTING**
Cutting issue only related to the blade wearing, that can be replaced in only 10 min.
- **MAINTENANCE**
Components replacement: rotary blade (10 min for adjustment) not special skill requested, standard bearing + seal.
- **CUTTING QUALITY**

DESCRIPTION

- Rotary blade without settings.
- Twin roller system, driven by gears motion (ratio of 1:4)
- Cutting performed by high velocity blade on tensioned label.
- Cam-shaped profile allows to cut the label every 4 revolutions
- Cutting line shaped
- Current cutter unit can be retrofitted with the new one in 1 day by two technicians.



Value: Efficiency, Maintenance

Equipment: SSC labellers (rollfed module), Evodeco

Catalogue code: AA31