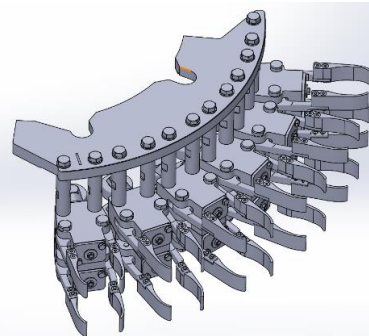


Improve your glass bottle handling and gain in flexibility

HS132 – new glass grippers

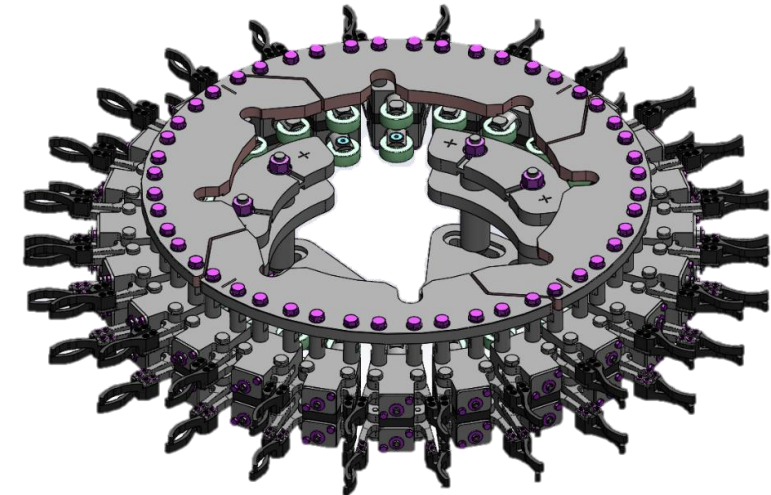
VALUE AND BENEFITS

- **Flexibility**
No need to replace starwheels to handle multiple cylindrical bottles shapes
- **Fragmented maintenance**
maintenance activities can be performed in masked time
- **Quick restart in case of grippers damage**
Affected sector can be easily and quickly replaced by a spare one
- **Reduced footprint**
Minimum space required to store format dependent parts



DESCRIPTION

- Traditional starwheels replaced by sectors fitted with grippers
- Designed for fragmented maintenance
- Scheduled 6000-hour maintenance for the following components
 - slide rings,
 - rollers,
 - springs



Value: Cost Optimizatio, Flexibility

Equipment: Eurostar RAA/REV; Eurostar EV REG; Eurotronica LP REE; Matrix SF320 RMA

Catalogue code: HS132