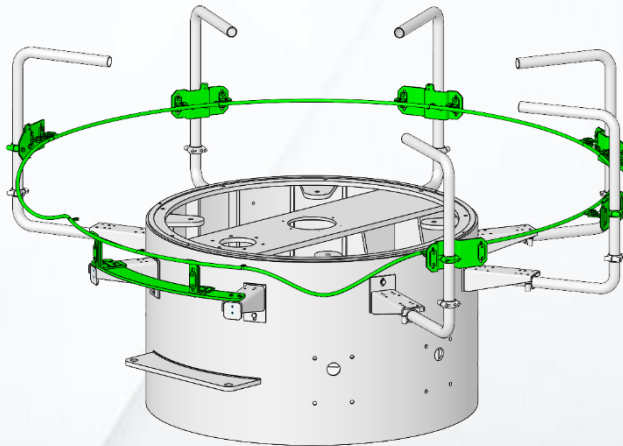


# No water to lubricate the bottle tilting system

## L047 New Twist for Bottles Tilting without Lubrication

### VALUE AND BENEFITS

- Water consumption reduction: 4 to 6 m<sup>3</sup>/year (no more water needed for cooling lubrication)
- Maintenance costs reduction thanks to reduced forks' wear (increased surface smoothness)
- The FDA recognizes DLC (Diamond Like Carbon) as a suitable coating for contact with food because it does not affect food quality due to its hypoallergenic and nontoxic properties.



Value: Sustainability, Cost optimization  
Equipment: Rinser  
Catalogue code: L047

### DESCRIPTION

- Existing twist made of a single welded piece is replaced by new twist realized in sectors (each one less than 1 meter long) assembled on site
- New twist rod is made in DLC (Diamond Like Carbon), carbon-based coating that increases surface hardness, eliminating problems related to abrasion, wear, creep and corrosion
- Water won't be anymore necessary to cool down and lubricate the rod
- Scope of supply
  - Twist
  - Support brackets
  - Gripper fork in polyzene

